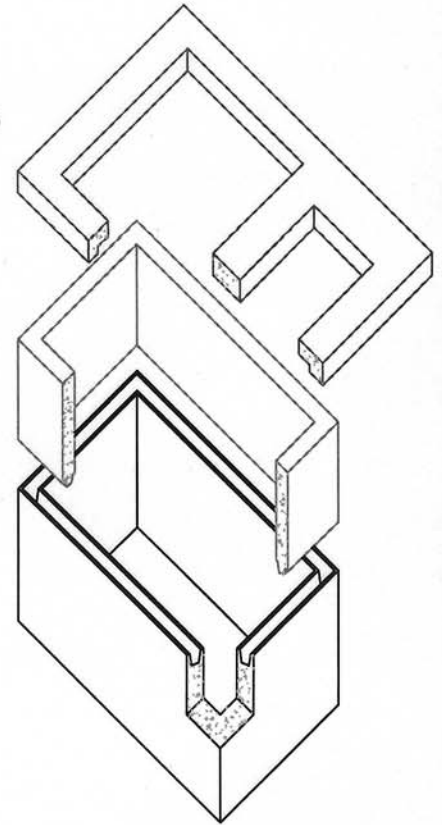
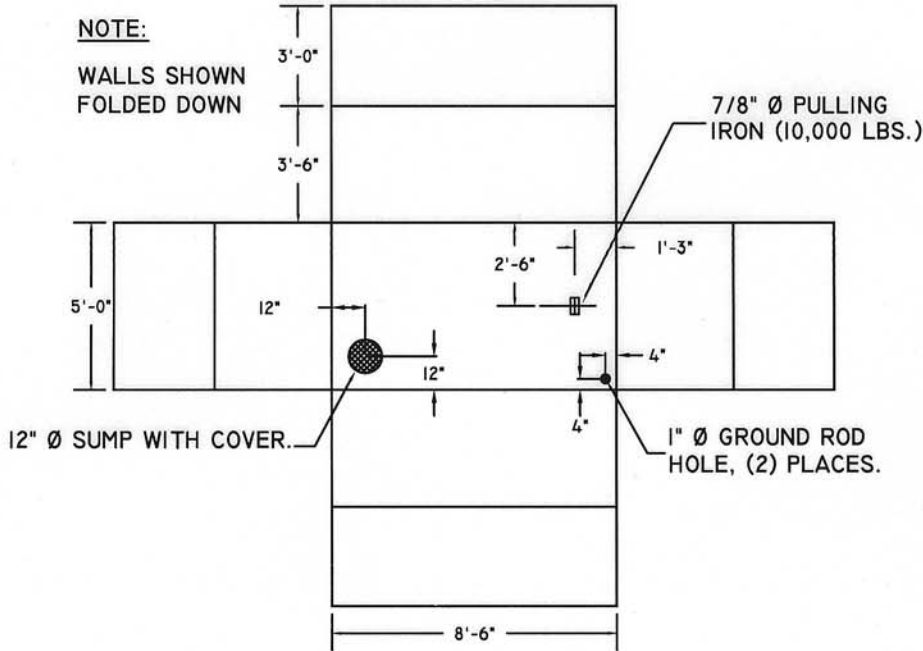
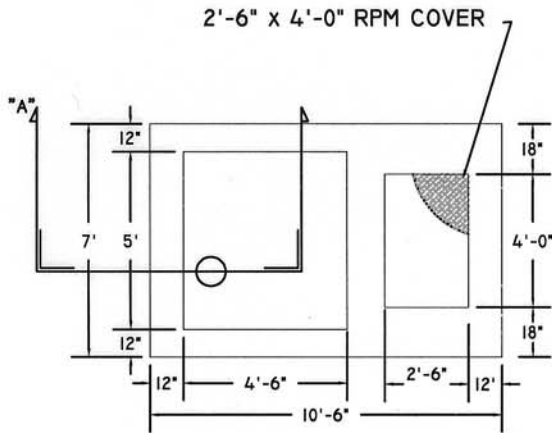


NOTE:

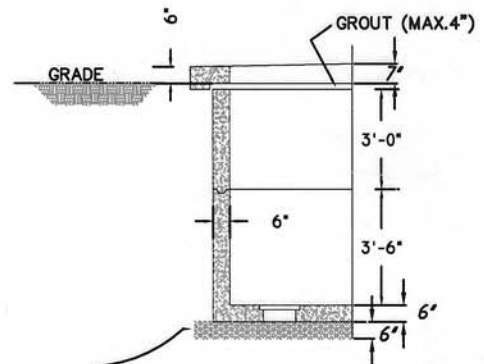
WALLS SHOWN
FOLDED DOWN



PLAN VIEW (INSIDE SURFACES)
PRECAST CONCRETE ENCLOSURE
OUTSIDE DIMENSIONS: 6' x 9'-6" x 7'



PLAN VIEW
PRECAST CONCRETE PAD
7' x 10'-6"



SECTION "A-A"

NOTE:

- 1) FIELD VERIFY LOCATION OF CONDUIT TERMINATION.
- 2) CONTRACTOR TO CORE-DRILL ENCLOSURE FOR CONDUIT OPENING, AND GROUT CONDUITS ENTERING ENCLOSURE AROUND CONDUIT BELL END.



ELECTRIC STANDARD

DRAWN: HV
DATE: 4-24-03
SCALE: NTS

SWITCH SLAB BOX

APPROVED: *[Signature]*
DATE: 5-8-03

DWG. NO.
ED10
SHEET
1 OF 1