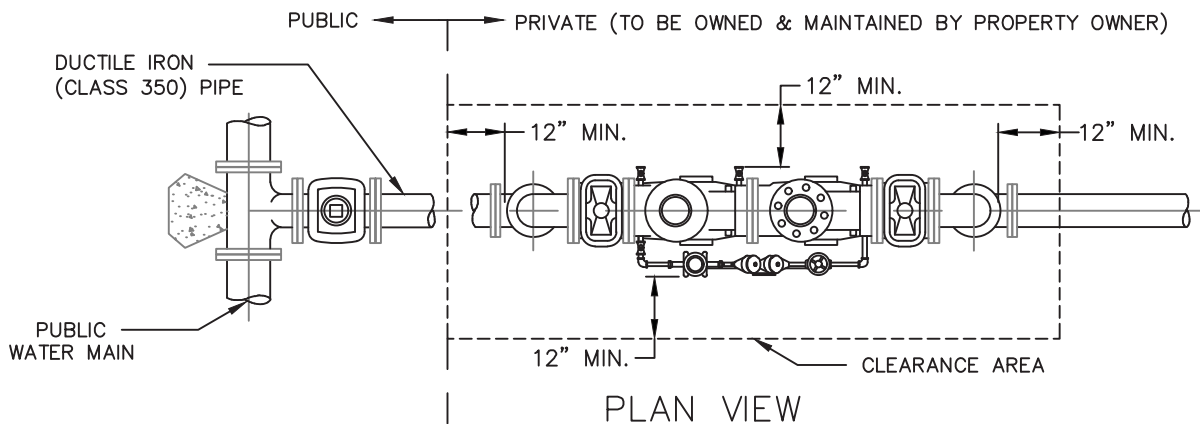


SECTION VIEW



PLAN VIEW

NOTES:

1. PIPING, VALVES, AND DEVICES SHALL RECEIVE ONE COAT OF RED PRIMER AND TWO FINISHING COATS OF ENAMEL PAINT:
 - DOMESTIC WATER BACKFLOW DEVICES (RESIDENTIAL, COMMERCIAL, & INDUSTRIAL) SHALL BE PAINTED BLUE.
 - IRRIGATION WATER BACKFLOW DEVICES SHALL BE PAINTED FOREST GREEN.
 - FIRE SERVICE BACKFLOW DEVICES SHALL BE PAINTED RED.
2. REQUIRED TO MAINTAIN A MINIMUM OF 12 INCHES OF CLEARANCE AROUND ALL BACKFLOW PIPING, VALVES, AND DEVICES.
3. ALL ASSEMBLIES MUST BE APPROVED BY THE U.S.C. FOUNDATION FOR CROSS CONNECTION CONTROL & HYDRAULIC RESEARCH.
4. ALL BACKFLOW DEVICES SHALL BE INSTALLED ON PRIVATE PROPERTY JUST BEHIND PROPERTY LINE AND SHALL BE OWNED & MAINTAINED BY THE PROPERTY OWNER. THE DEVELOPER/OWNER IS REQUIRED TO INSTALL & MAINTAIN A CAGE ON THE DEVICE. THE MAXIMUM DISTANCE FROM THE BACKFLOW DEVICE TO THE PROPERTY LINE SHALL BE 12 INCHES.
5. REQUIRED TO PROVIDE CERTIFIED BACKFLOW TEST REPORTS TO AZUSA LIGHT & WATER (ALW) FOR EACH BACKFLOW DEVICE UPON INSTALLATION, ANNUALLY, AND UPON REQUEST BY ALW.



WATER STANDARD

DRAWN: A. TOHMEH
DATE: 06-29-2020
SCALE: NTS

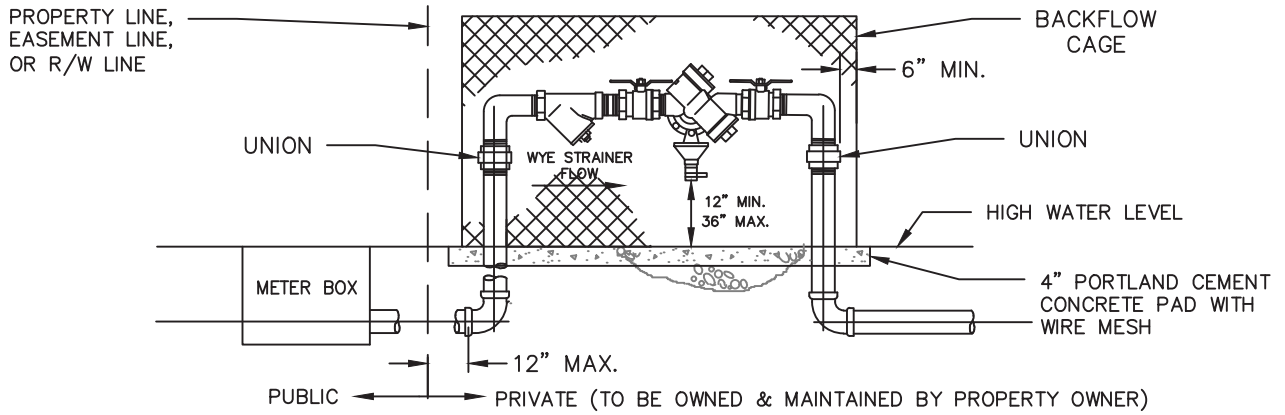
**BACKFLOW PREVENTION ASSEMBLY
 GENERAL INSTALLATION**

APPROVED: *MTB*
 SENIOR WATER SYSTEM ENGINEER

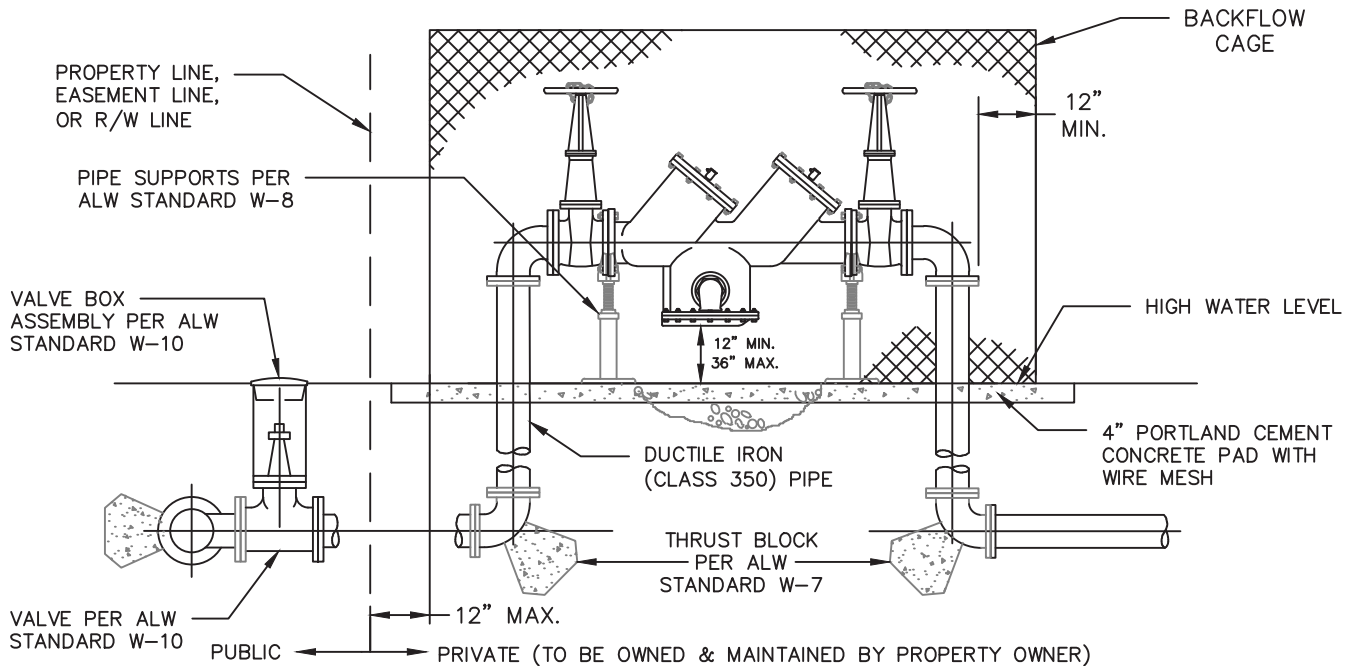
76544 **06/29/2020**
 RCE NO. DATE

DWG. NO.
W - 15

SHEET
1 of 3



SECTION VIEW
RP DEVICE 2 INCHES OR SMALLER



SECTION VIEW
RP DEVICE LARGER THAN 2 INCHES

NOTES:

1. PIPING, VALVES, AND DEVICES SHALL RECEIVE ONE COAT OF RED PRIMER AND TWO FINISHING COATS OF ENAMEL PAINT:
 - DOMESTIC WATER BACKFLOW DEVICES (RESIDENTIAL, COMMERCIAL, & INDUSTRIAL) SHALL BE PAINTED BLUE.
 - IRRIGATION WATER BACKFLOW DEVICES SHALL BE PAINTED FOREST GREEN.
 - FIRE SERVICE BACKFLOW DEVICES SHALL BE PAINTED RED.
2. REQUIRED TO MAINTAIN A MINIMUM OF 12 INCHES OF CLEARANCE AROUND ALL BACKFLOW PIPING, VALVES, AND DEVICES.
3. ALL ASSEMBLIES MUST BE APPROVED BY THE U.S.C. FOUNDATION FOR CROSS CONNECTION CONTROL & HYDRAULIC RESEARCH.
4. ALL BACKFLOW DEVICES SHALL BE INSTALLED ON PRIVATE PROPERTY JUST BEHIND PROPERTY LINE WITH A CAGE AND SHALL BE OWNED & MAINTAINED BY THE PROPERTY OWNER. THE MAXIMUM DISTANCE FROM THE BACKFLOW DEVICE TO THE PROPERTY LINE SHALL BE 12 INCHES.
5. REQUIRED TO PROVIDE CERTIFIED BACKFLOW TEST REPORTS TO AZUSA LIGHT & WATER (ALW) FOR EACH BACKFLOW DEVICE UPON INSTALLATION, ANNUALLY, AND UPON REQUEST BY ALW.
6. ALL CAGES SHALL RECEIVE ONE COAT OF RED PRIMER AND TWO FINISHING COATS OF ENAMEL PAINT (FOREST GREEN FOR SCREENING).



WATER STANDARD

DRAWN: A. TOHMEH

DATE: 06-29-2020

SCALE: NTS

**REDUCED PRESSURE (RP) PRINCIPLE
ASSEMBLY BACKFLOW DEVICE**

APPROVED: *MTB*
SENIOR WATER SYSTEM ENGINEER

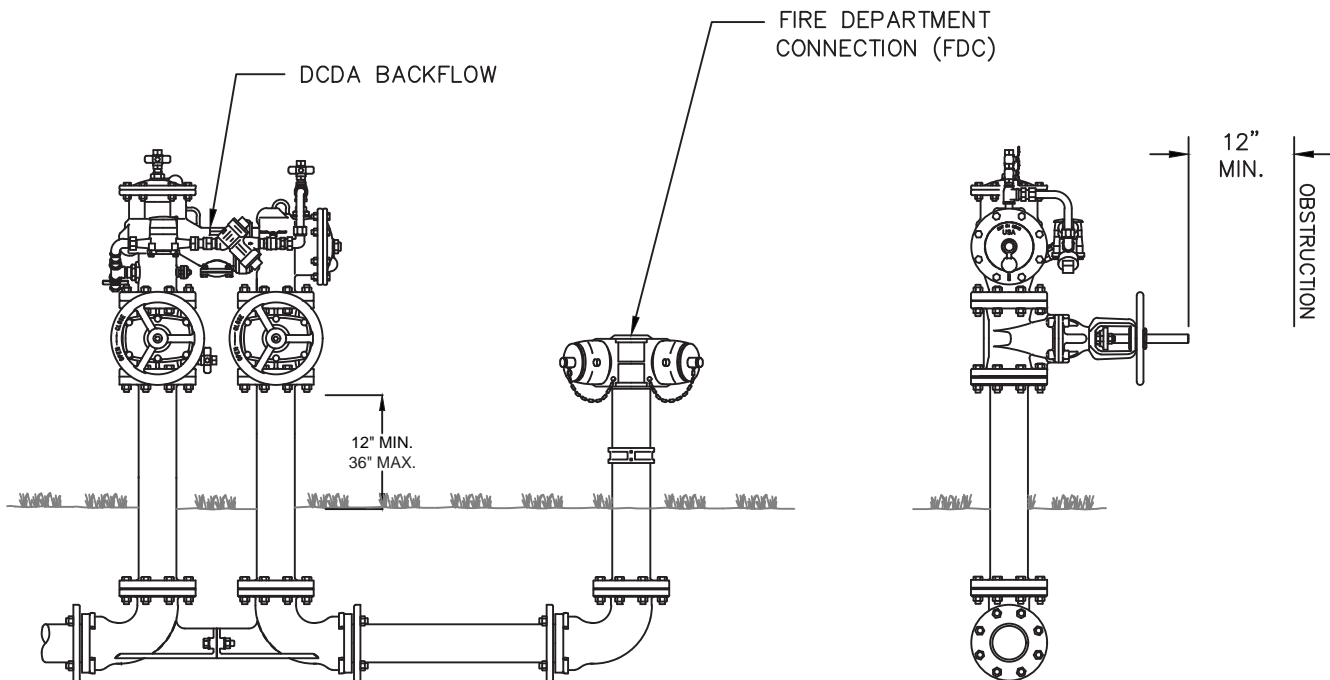
76544 06/29/2020
RCE NO. DATE

DWG. NO.

W - 15

SHEET

2 OF 3



NOTES:

1. PIPING, VALVES, AND DEVICES SHALL RECEIVE ONE COAT OF RED PRIMER AND TWO FINISHING COATS OF ENAMEL PAINT:
 - DOMESTIC WATER BACKFLOW DEVICES (RESIDENTIAL, COMMERCIAL, & INDUSTRIAL) SHALL BE PAINTED BLUE.
 - IRRIGATION WATER BACKFLOW DEVICES SHALL BE PAINTED FOREST GREEN.
 - FIRE SERVICE BACKFLOW DEVICES SHALL BE PAINTED RED.
2. REQUIRED TO MAINTAIN A MINIMUM OF 12 INCHES OF CLEARANCE AROUND ALL BACKFLOW PIPING, VALVES, AND DEVICES.
3. ALL ASSEMBLIES MUST BE APPROVED BY THE U.S.C. FOUNDATION FOR CROSS CONNECTION CONTROL & HYDRAULIC RESEARCH.
4. ALL BACKFLOW DEVICES SHALL BE INSTALLED ON PRIVATE PROPERTY JUST BEHIND PROPERTY LINE WITH A CAGE AND SHALL BE OWNED & MAINTAINED BY THE PROPERTY OWNER. THE MAXIMUM DISTANCE FROM THE BACKFLOW DEVICE TO THE PROPERTY LINE SHALL BE 12 INCHES.
5. REQUIRED TO PROVIDE CERTIFIED BACKFLOW TEST REPORTS TO AZUSA LIGHT & WATER (ALW) FOR EACH BACKFLOW DEVICE UPON INSTALLATION, ANNUALLY, AND UPON REQUEST BY ALW.
6. THE FIRE DEPARTMENT CONNECTION (FDC) SHALL NOT BE CONNECTED TO ANY PART OF THE DOUBLE CHECK DETECTOR ASSEMBLY (DCDA) OR DCDA RISERS.



WATER STANDARD

DRAWN: A. TOHMEH
DATE: 06-29-2020
SCALE: NTS

DOUBLE CHECK DETECTOR ASSEMBLY (DCDA) BACKFLOW DEVICE FOR FIRE SERVICES

APPROVED: *MTB*
SENIOR WATER SYSTEM ENGINEER

76544 **06/29/2020**
RCE NO. DATE

DWG. NO.
W - 15

SHEET
3 OF 3